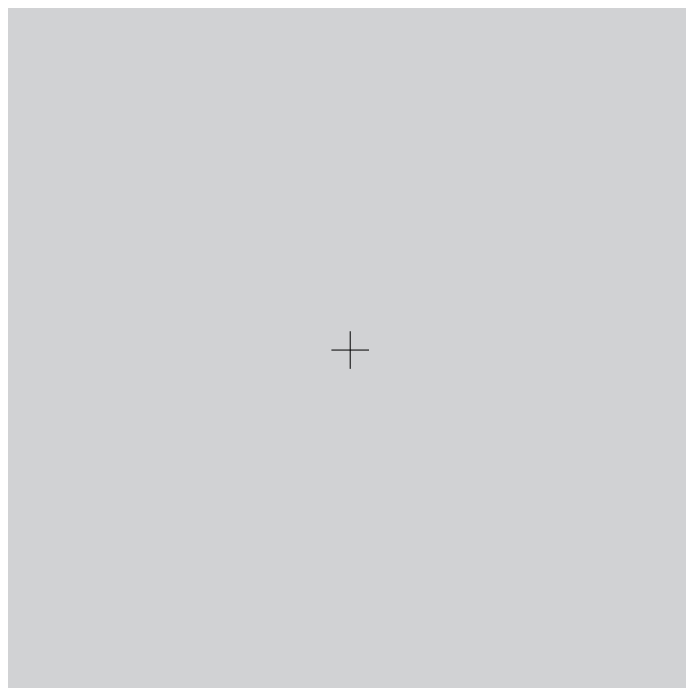
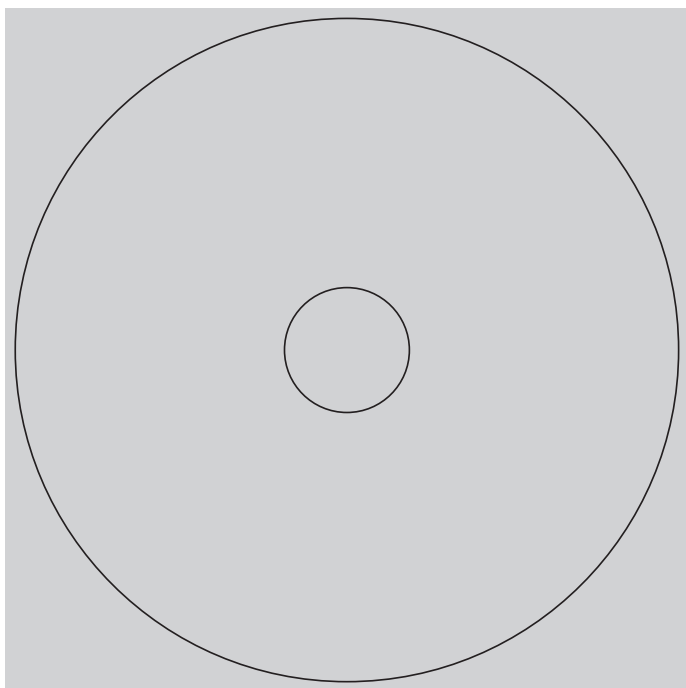


HOW TO PREPARE THE MATERIAL FOR THE PRINT ON MINI CDs AND DVDs – BRIEF SPECIFICATION

PLEASE DO NOT PUT THE CHOSEN DESIGN ON THE SUPPLIED MATERIAL, JUST INCLUDE IT IN THE GRAPHICS WHILE DESIGNING.

PLEASE MAKE SURE THAT THE DESIGN IS PUT CENTRALLY ON THE SIDE. IF IT IS NOT, A MARK SHOULD BE PUT IN ITS CENTER (IN REGISTRATION COLOUR). IT WILL ENABLE POSITIONING THE DESIGN ACCORDING TO THE CLIENT'S WISH.

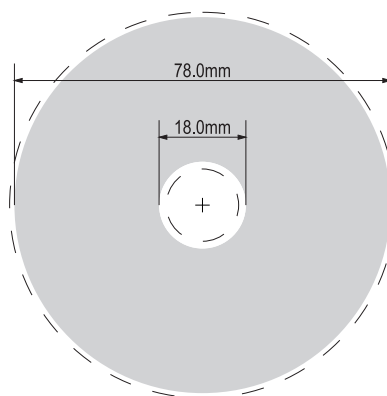


DESIGN OF THE PRINT

- please do not put technical symbols on the design (ID badges of colours etc.)
- in order to obtain colour approval, we produce certified PROOF ISO
- we accept projects in the form of active files; please change the fonts into curves before the files are sent for adaptation
- the formats we accept are:
 - adobe illustrator
 - adobe pdf composite
 - tif bitmap CMYK 300dpi



CD / DVD PRINT AREA



PRINT AREA

NON PRINTED AREA

